

**GENERAL NOTES:**

1. ALL DIMENSIONS ARE IN MILLIMETERS UNLESS OTHERWISE NOTED.
2. ALL LEVELS ARE IN METERS.

REFERENCE DRAWINGS		Rev.
- CLADDING	-	-
- CLADDING	-	-
- CLADDING	-	-
- CLADDING	-	-

Rev.	Description of change	Date	Drawn	Approv.

Arch.	Struc.	Elec.	Mech.	QA/QC

Sign: \_\_\_\_\_  
 Date: \_\_\_\_\_

**PROJECT**  
 Project Name

**CLIENT**

**DESIGN CONSULTANTS:**

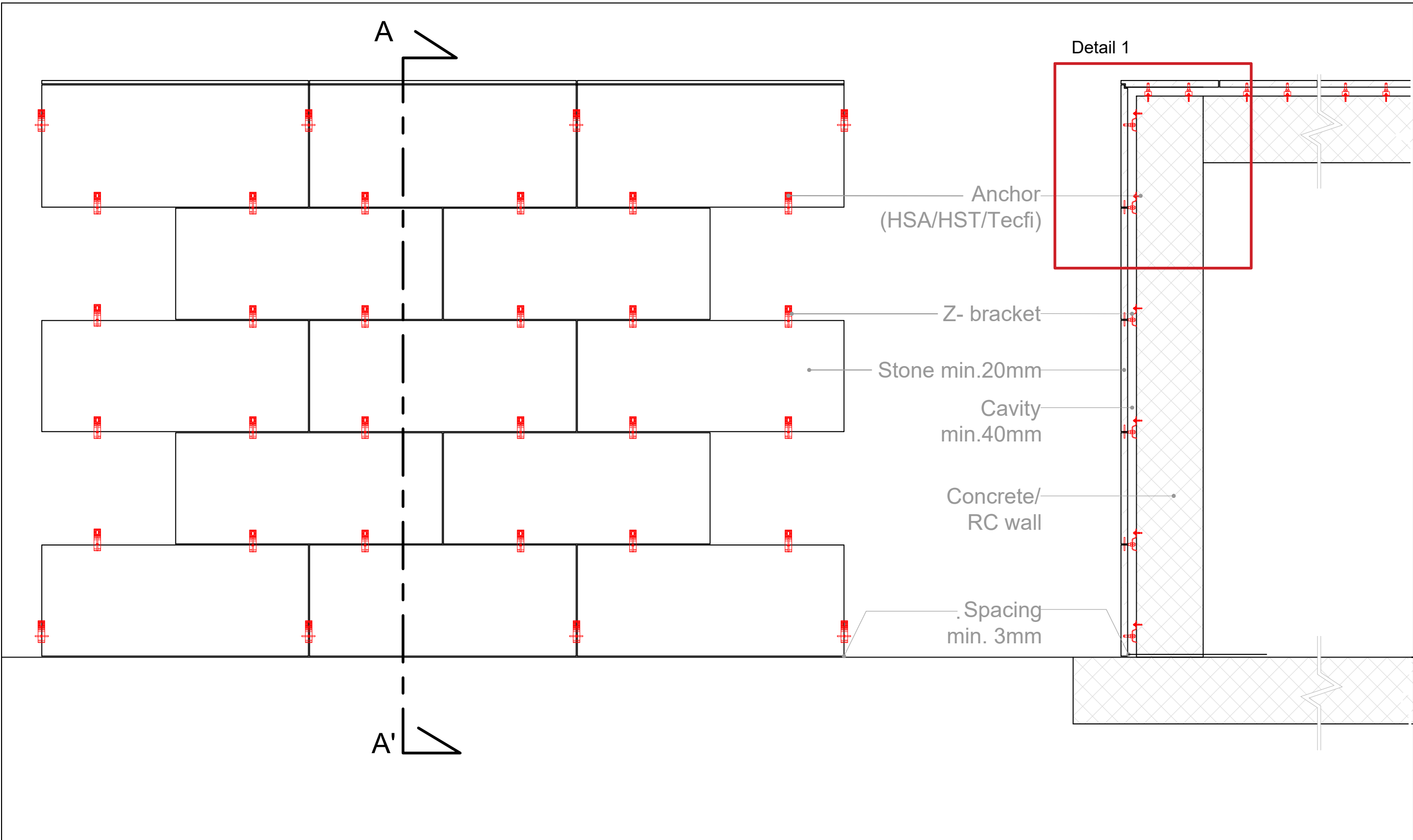
**PROJECT CONSULTANT:**  
 PMO:

**CONTRACTOR:**

Fixing systems Designer:  
 Technik Engineering Industries

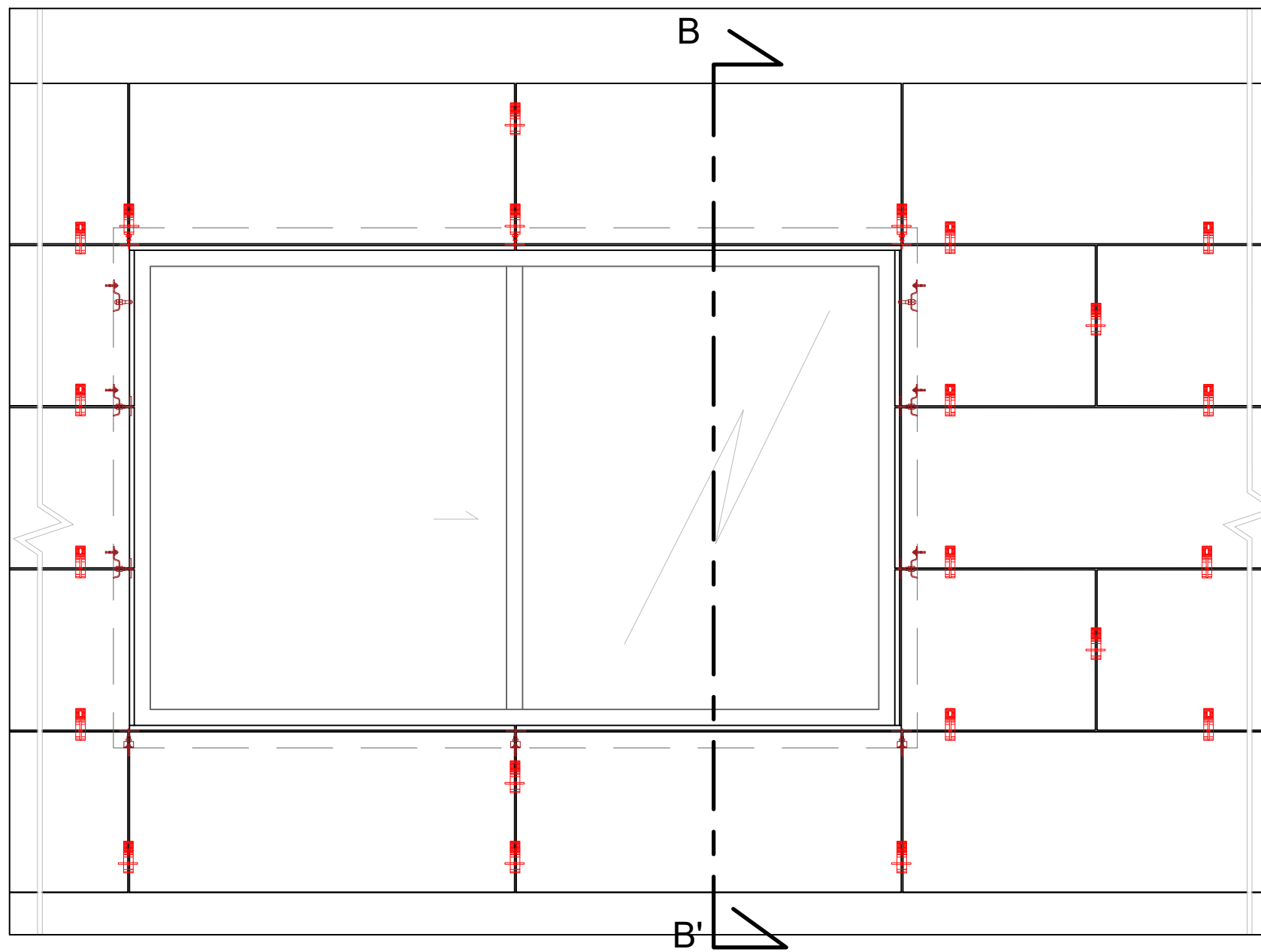
**DRAWING TITLE:** Bracket system - Z  
 TECBZ30203-55 -1  
 Typical details

Program	Design	Phase	Project	Stage	Facility	Discipline	Sheet	Design	Serial	Revision

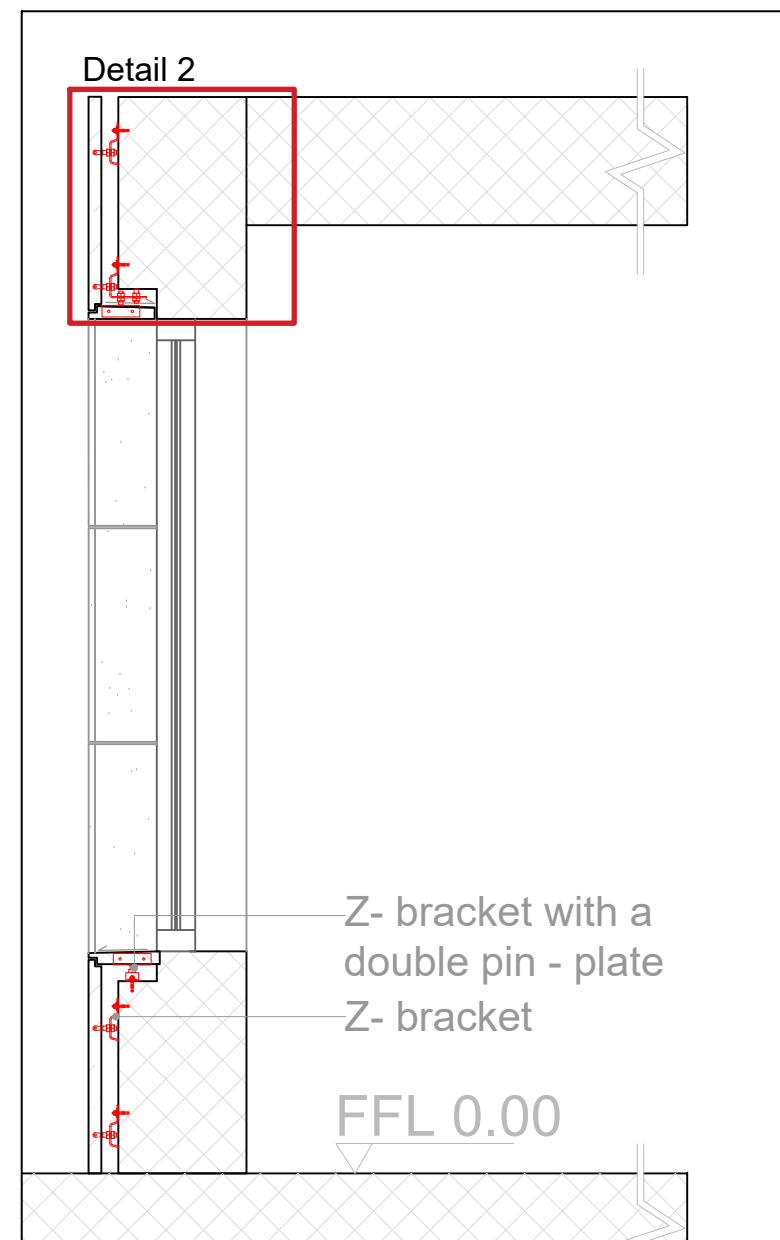


Typical Elevation 1

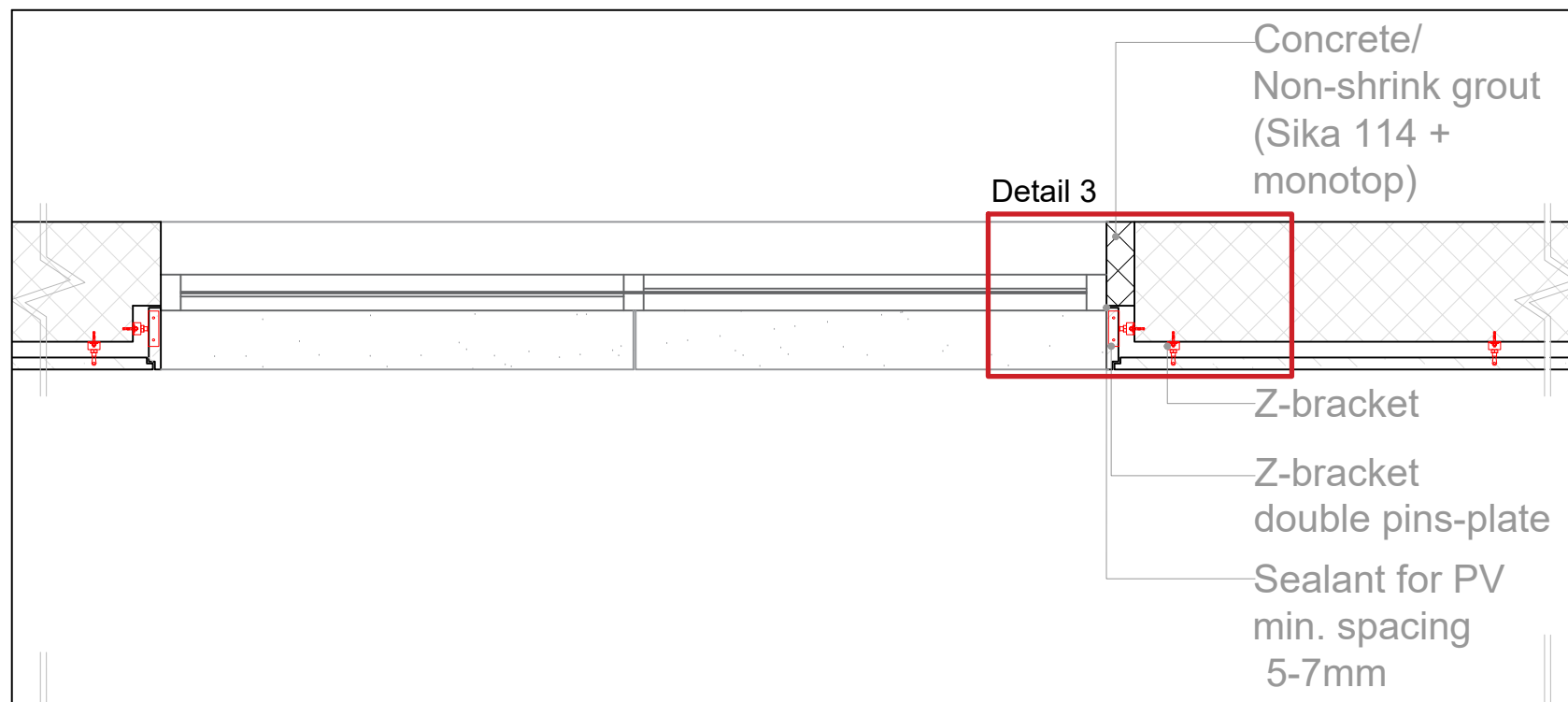
Typical Section A-A'



Typical Window Elevation



Typical window -Section B-B'



Typical window Plan



Khalda Center: Um Al-Simaq / 4 Thabit Bin Dinar st. / Newport Center  
 Factory: Al-Raqim / Al-Azraq st.  
 Tel +962 6 5540491  
 info@technik-jo.com

**GENERAL NOTES:**

1. ALL DIMENSIONS ARE IN MILLIMETERS UNLESS OTHERWISE NOTED.
2. ALL LEVELS ARE IN METERS.

Rev.	Description of change	Date	Drawn	Approved
-	CLADDING	-	-	-
-	CLADDING	-	-	-
-	CLADDING	-	-	-
-	CLADDING	-	-	-

Rev.	Description of change	Date	Drawn	Approved

Sign:	Arch.	Struc.	Elec.	Mech.	QA/QC
Date:					

**PROJECT**  
Project Name

**CLIENT**

**DESIGN CONSULTANTS:**

**PROJECT CONSULTANT:**  
PMO:

**CONTRACTOR:**

Fixing systems Designer,  
Technik Engineering Industries



**DRAWING TITLE:** Bracket system - Z  
TECBZ30203-55 -2  
Window typical details

Project Code	Organization	Phase	Project Package	Stage Code	Building Stage	Document Type	Revision	Category	Sheet Number	Revision
TEI	SD	-	A	-	DWG	Z	B	0001		
Drawn by:	H.A	Checked by:	A.A	Date:	DD-MM-2024					

**GENERAL NOTES:**

1. ALL DIMENSIONS ARE IN MILLIMETERS UNLESS OTHERWISE NOTED.
2. ALL LEVELS ARE IN METERS.

REFERENCE DRAWINGS		Rev.
- CLADDING	-	-
- CLADDING	-	-
- CLADDING	-	-
- CLADDING	-	-

Rev.	Description of change	Date	Drawn	Approv.

Arch.	Struc.	Elec.	Mech.	QA/QC

Sign: \_\_\_\_\_  
Date: \_\_\_\_\_

**PROJECT**  
Project Name

**CLIENT**

**DESIGN CONSULTANTS:**

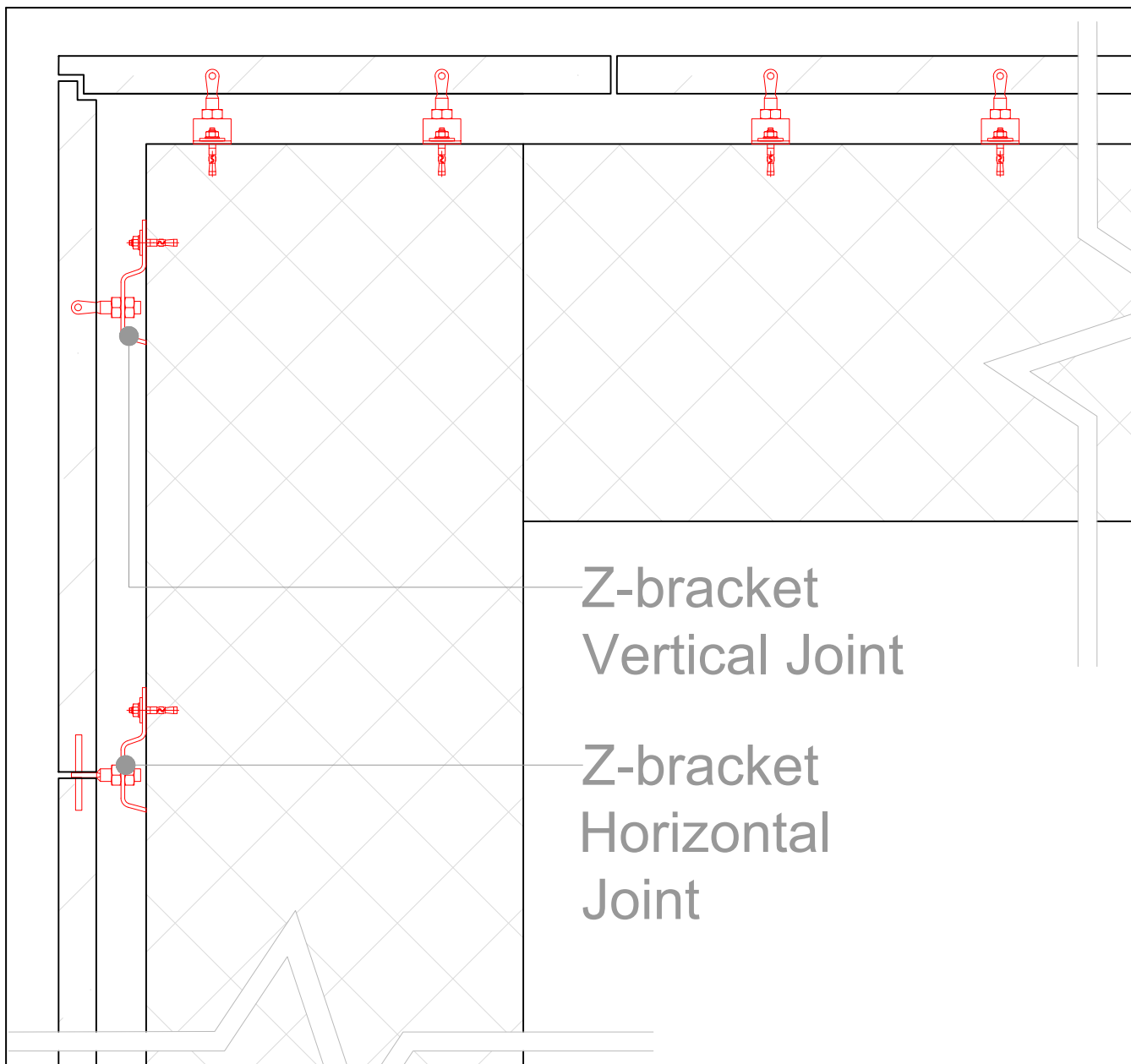
**PROJECT CONSULTANT:**  
PMO:

**CONTRACTOR:**

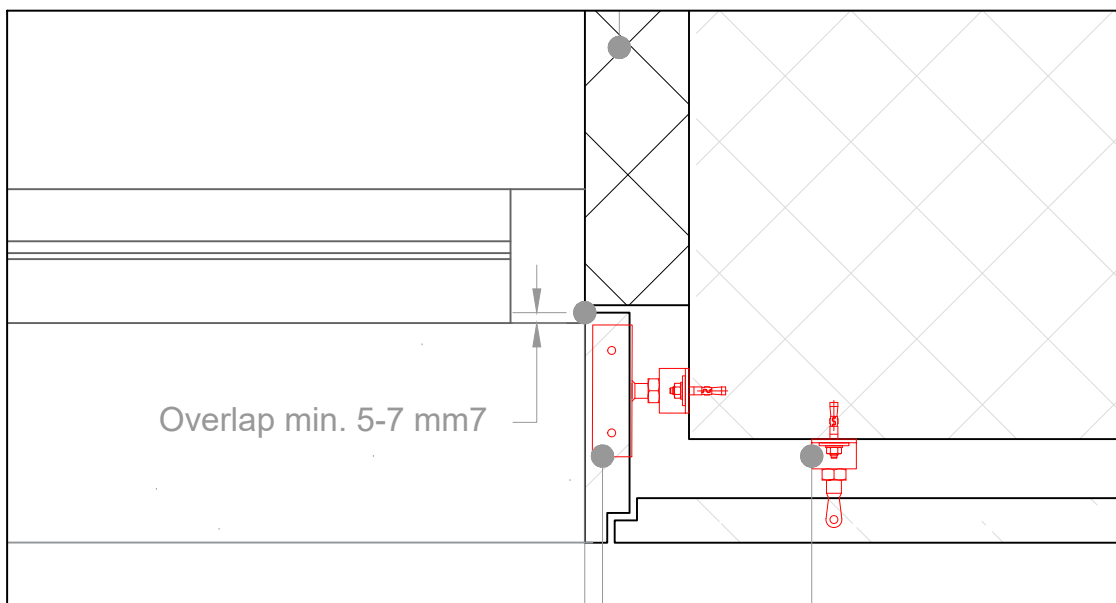
Fixing systems Designer:  
Technik Engineering Industries

**DRAWING TITLE:**  
Bracket system - Z  
TECBZ30203-55 -3  
Typical details

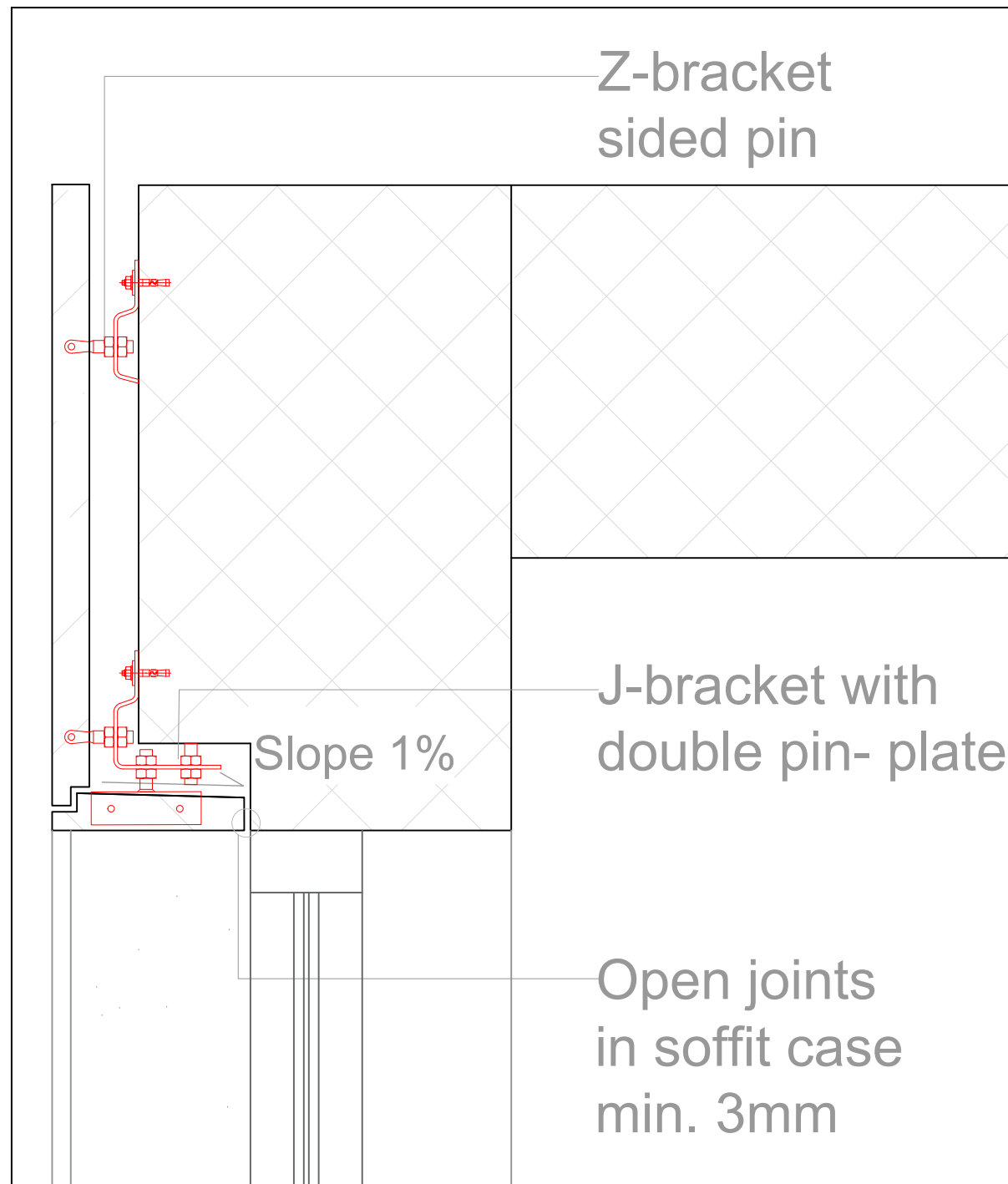
Project Code	Discipline	Phase	Package Code	Sheet No.	Package Title	Discipline Type	Package	Sheet Number	Revision
TEI	SD	A	DWG/Z	B	0001				
Drawn by:	H.A	Checked by:	A.A	Date:	DD-MM-2024				



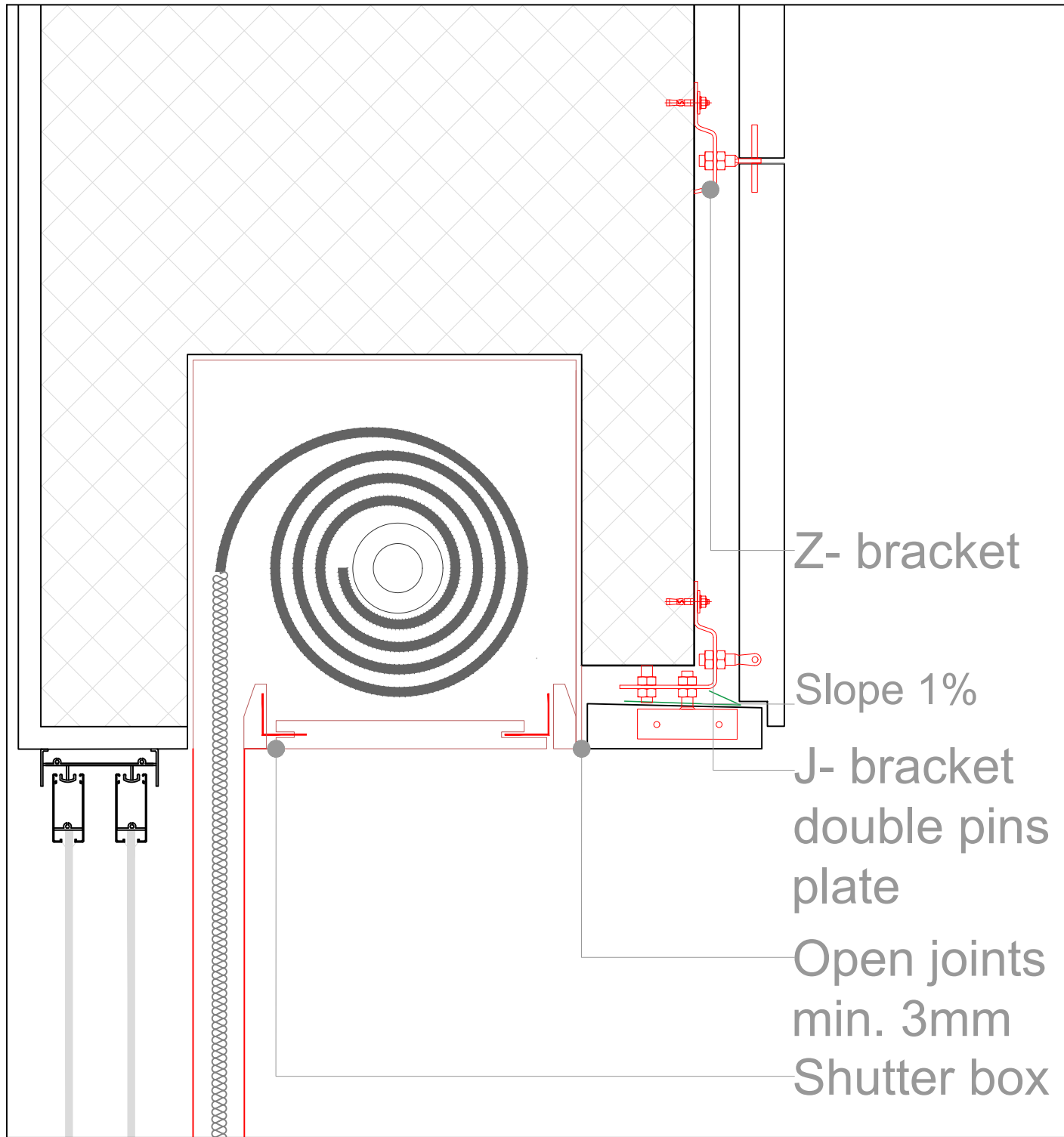
Detail 1 - Typical Copping - Section



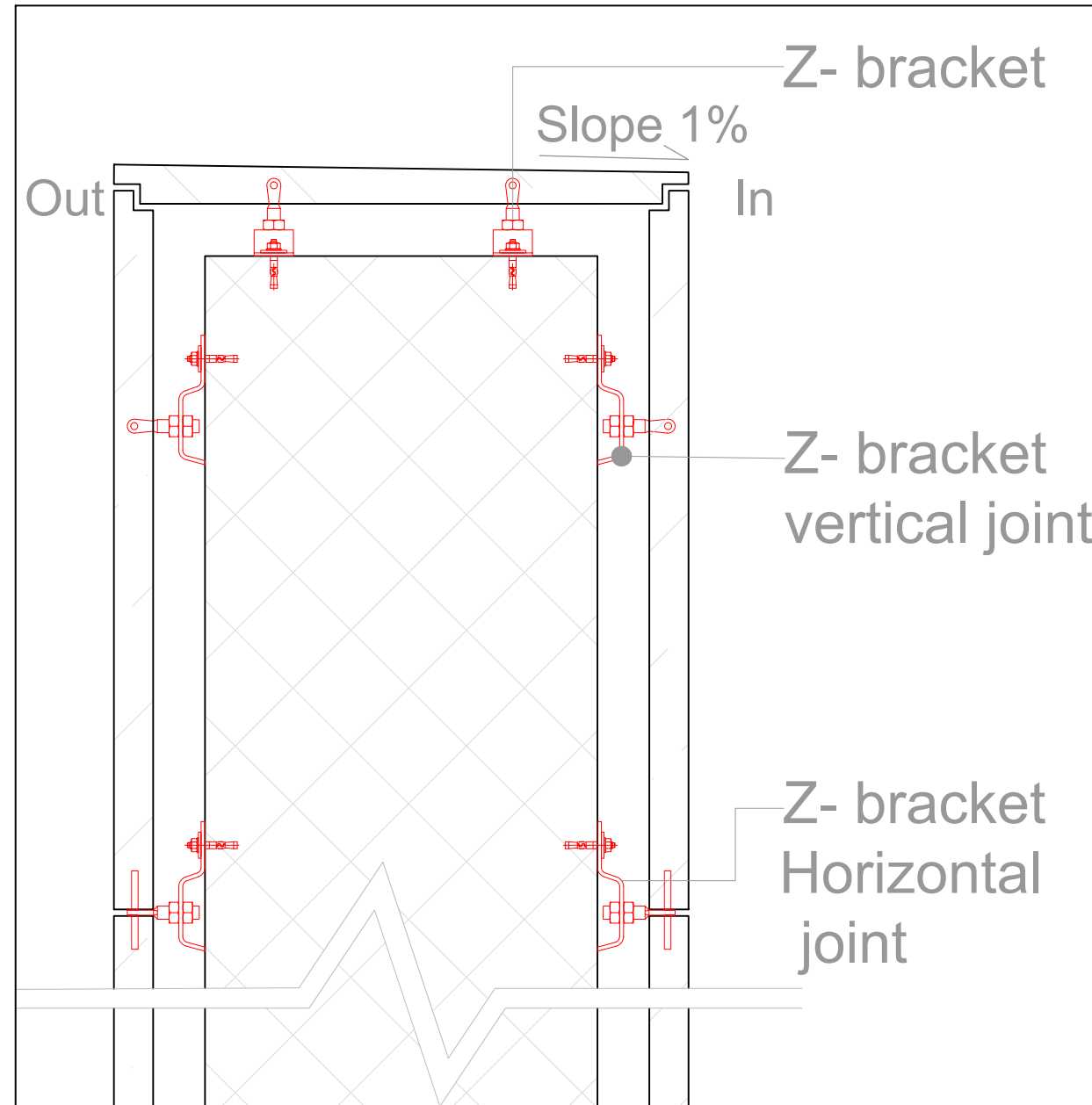
Detail 3 - Typical Window jamb



Detail 2 - Typical Soffit - Section



Detail 4- Shutter box - Section



Detail 5- Typical Parapet - Section

**GENERAL NOTES:**

1. ALL DIMENSIONS ARE IN MILLIMETERS UNLESS OTHERWISE NOTED.
2. ALL LEVELS ARE IN METERS.

Rev.	Description of change	Date	Drawn	Approv.
-	CLADDING	-	-	-
-	CLADDING	-	-	-
-	CLADDING	-	-	-
-	CLADDING	-	-	-

Rev.	Description of change	Date	Drawn	Approv.

Sign:	Arch.	Struc.	Elec.	Mech.	QA/QC

PROJECT  
Project Name

CLIENT

DESIGN CONSULTANTS:

PROJECT CONSULTANT:  
PMO:

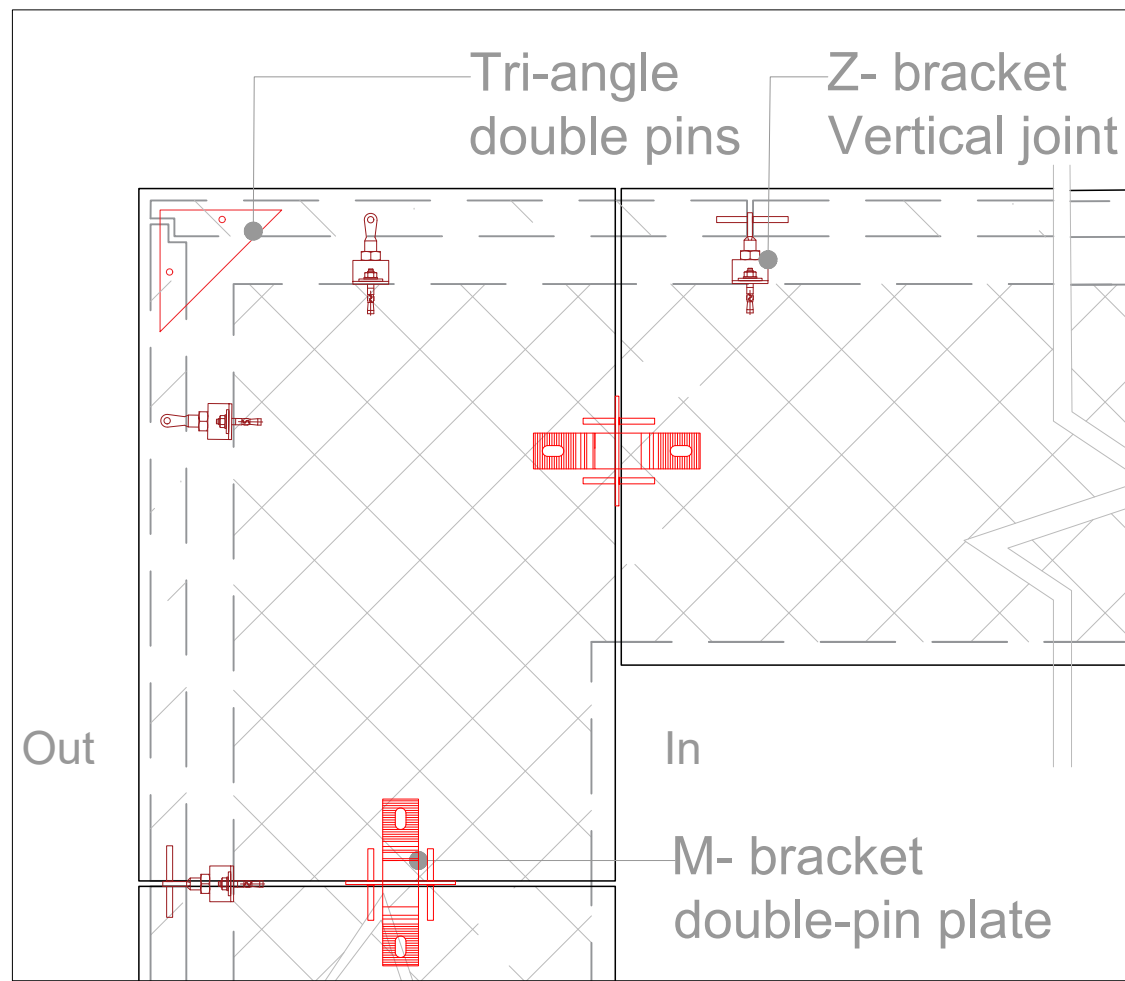
CONTRACTOR:

Fixing systems Designer:  
Technik Engineering Industries

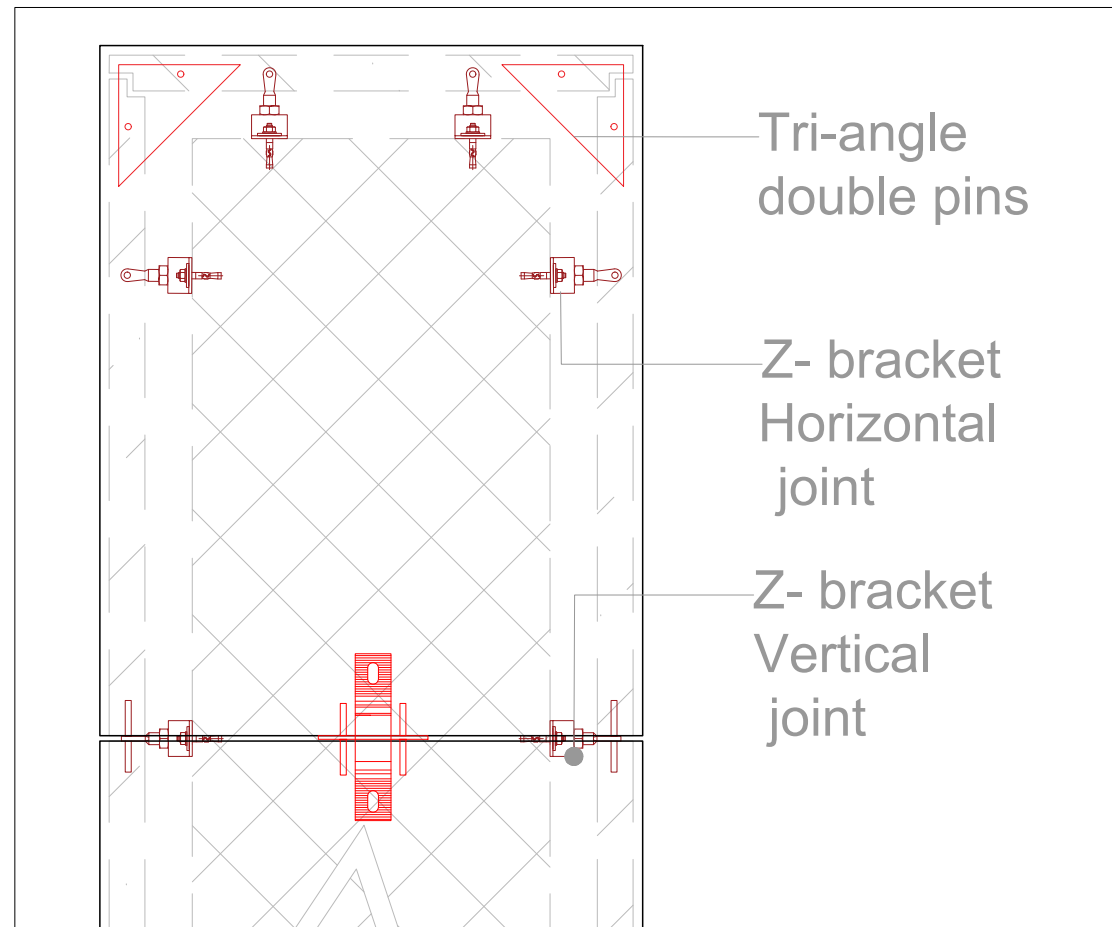
DRAWING TITLE: Bracket system - Z  
TECBZ30203-55 -4  
Typical details

Program	Discipline	Phase	Project	Stage	Facility	Document	Function	Category	Sheet Number	Revision
TEI	SD	-	A	-	DWGZ	B	0001			

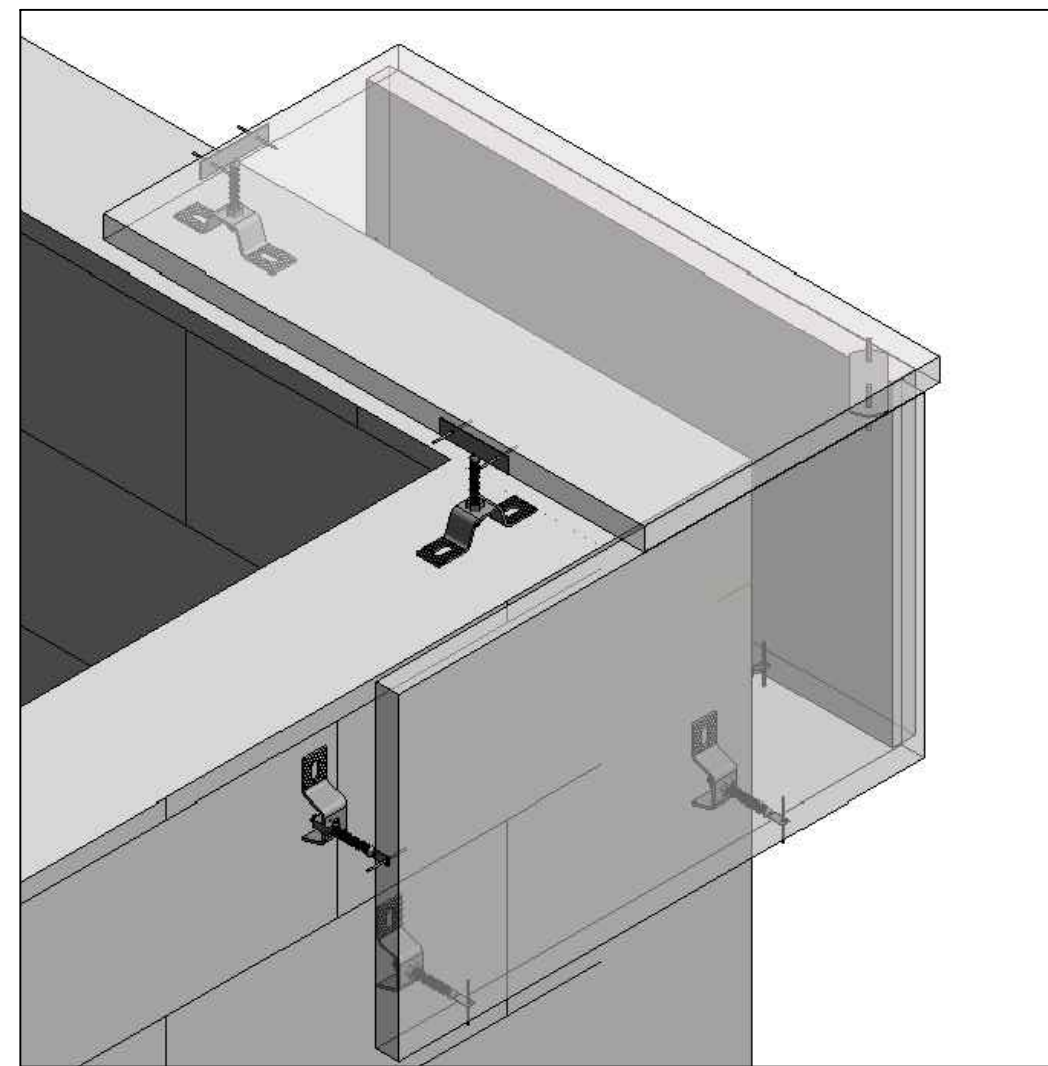
Drawn by: H.A. Checked by: A.A. Date: DD-MM-2024



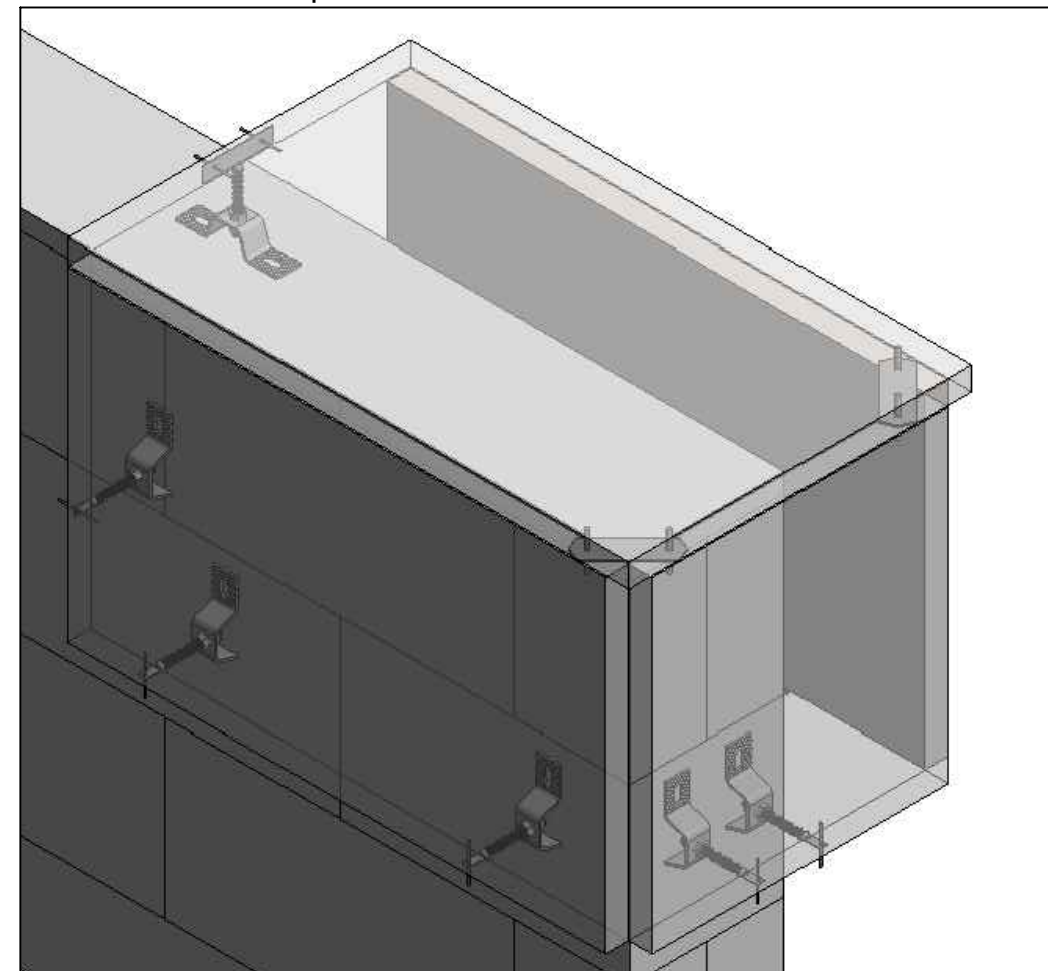
Detail 6- Plan - Top Corner - Plan



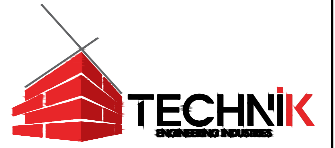
Detail 7- Top Corner for freestanding wall - Plan



Detail 6- Plan - Top Corner - 3D



Detail 7- Top Corner for freestanding wall - 3D



Khalda Center: Um Al-Simaq / 4 Thabit Bin Dinar st. / Newport Center  
 Factory: Al-Raqim / Al-Azraq st.  
 Tel +962 6 5540491  
 info@technik-jo.com

**GENERAL NOTES:**

1. ALL DIMENSIONS ARE IN MILLIMETERS UNLESS OTHERWISE NOTED.
2. ALL LEVELS ARE IN METERS.

Rev.	Description of change	Date	Drawn	Approved
-	CLADDING	-	-	-
-	CLADDING	-	-	-
-	CLADDING	-	-	-
-	CLADDING	-	-	-

Rev.	Description of change	Date	Drawn	Approved
-	CLADDING	-	-	-
-	CLADDING	-	-	-
-	CLADDING	-	-	-
-	CLADDING	-	-	-

Arch.	Struc.	Elec.	Mech.	QA/QC
Sign:				
Date:				

**PROJECT**  
Project Name

**CLIENT**

**DESIGN CONSULTANTS:**

**PROJECT CONSULTANT:**  
PMC:

**CONTRACTOR:**

Fixing systems Designer:  
Technik Engineering Industries



**DRAWING TITLE:**  
Bracket system - Z  
TECBZ30203-55 -5  
Typical details

Program	Design	Price	Project	Draw	Facilities	Document	Revision	Date
Drawn by:	H.A.	Checked by:	A.A.	Date:	DD-MM-2024			